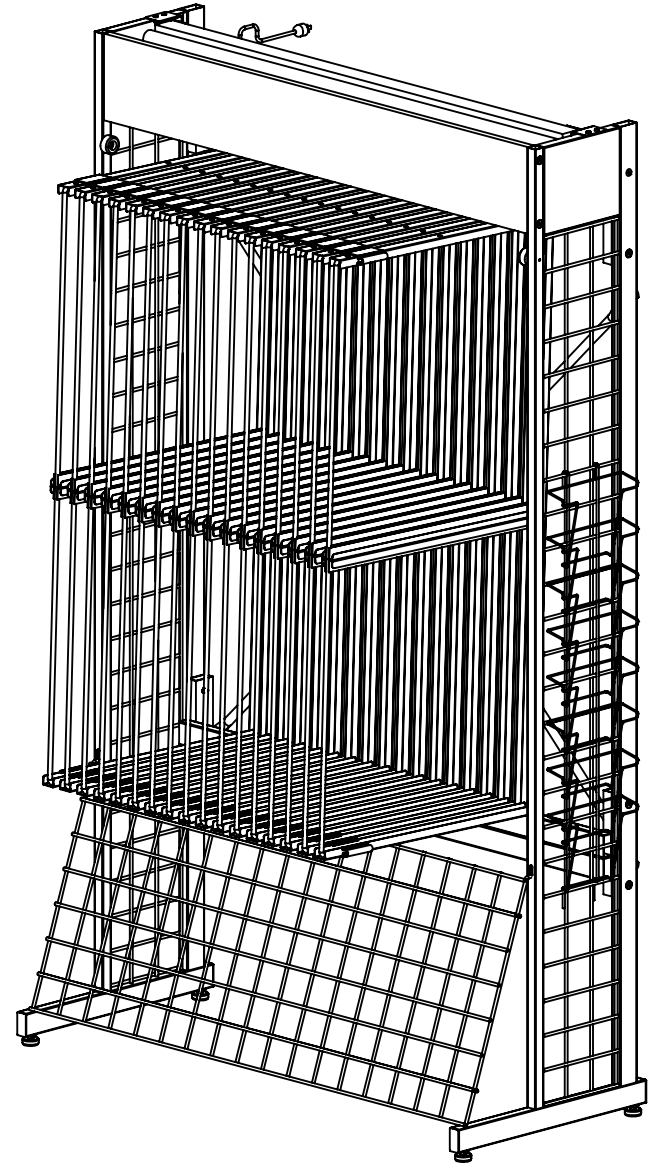




ADVANTAGE III

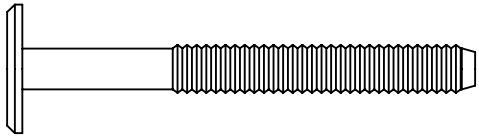
ASSEMBLY INSTRUCTIONS
87"H x 54.25"W x 28.5"D



877.233.7962
For customer assistance, ask for CROSSVILLE representative.

PAGE
1 of 7

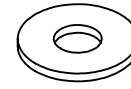
HARDWARE



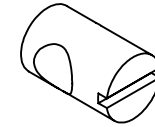
2-3/8" BOLT
12x



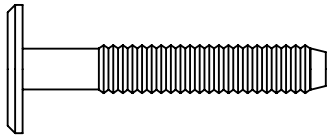
.75" SCREW
6x



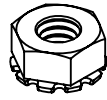
FLAT WASHER
2x



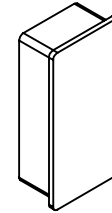
DOWEL NUT
4x



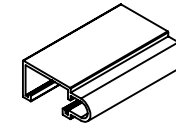
1-1/2" BOLT
1x



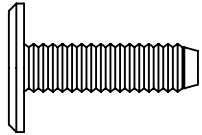
LOCK NUT
9x



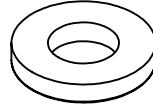
TUBE CAP
4x



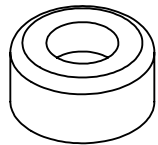
BUMPER
CLIP
34x



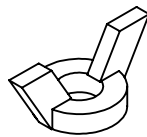
1" BOLT
4x



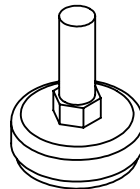
NYLON WASHER
17x



BUMPER
2x

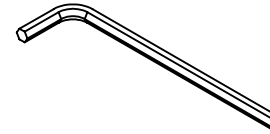


WING NUT
2x

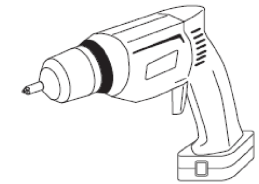


LEVELER
4x

TOOLS & SAFETY



4mm Hex Key



Power Drill with
Phillips Bit

Unpacking, assembly, and moving is recommended to be carried out by two or more persons. Failure to do so may result in failing of the unit.

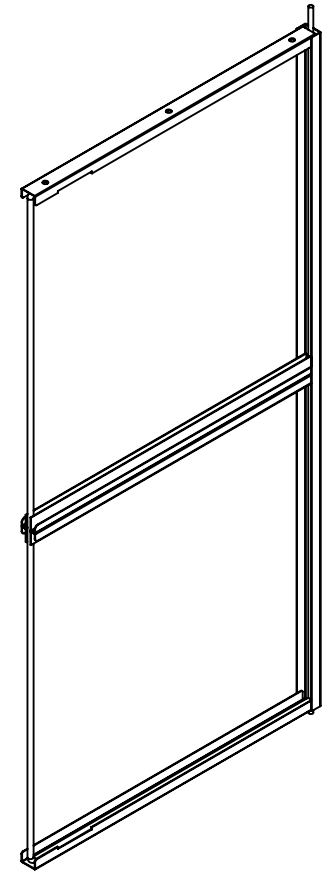
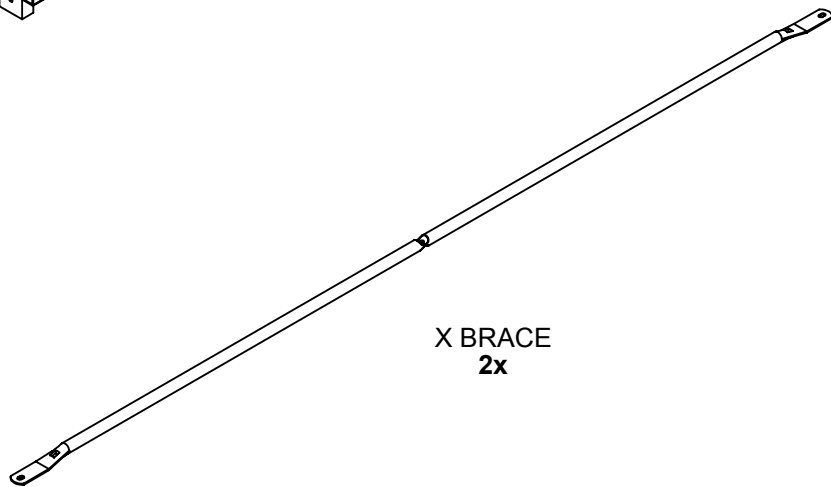
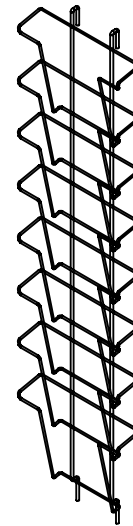
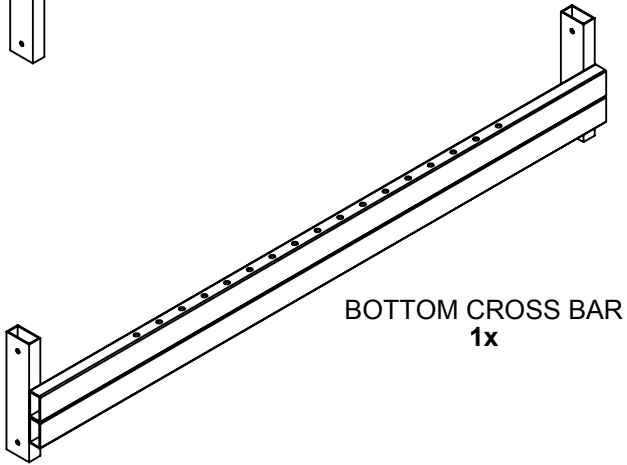
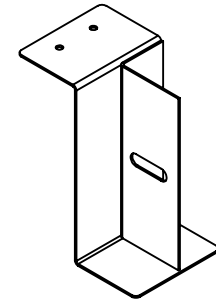
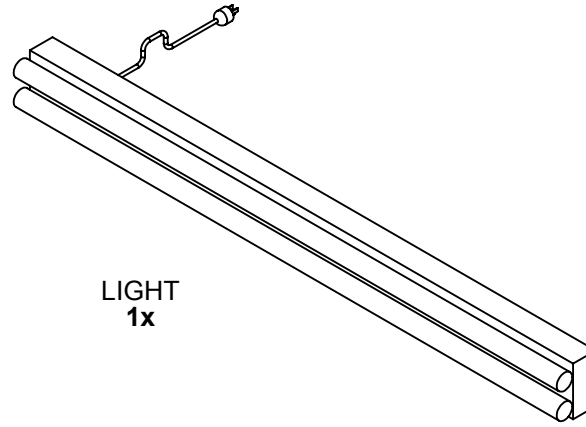
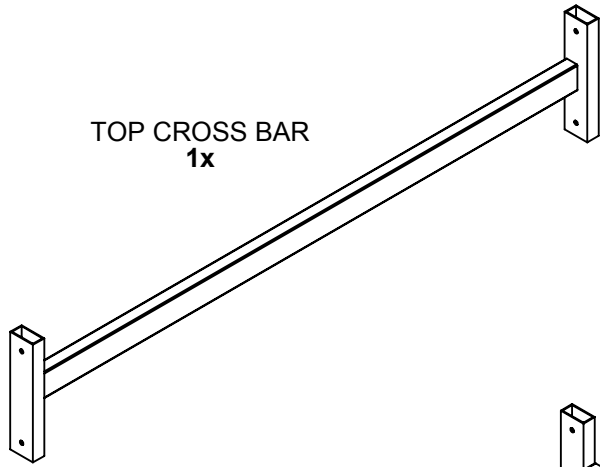
Failure to follow the assembly directions could result in damage or injury.

Install in a level and stable location.

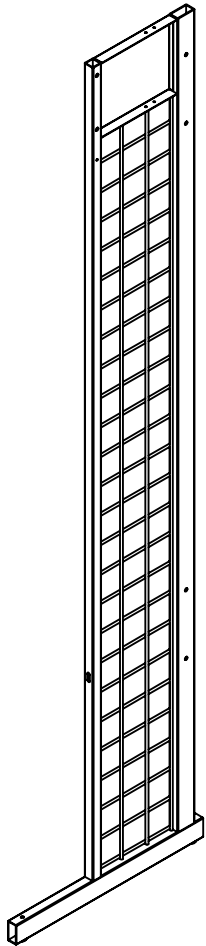
Assemble display in the area it will occupy. Never attempt to move display after loading.



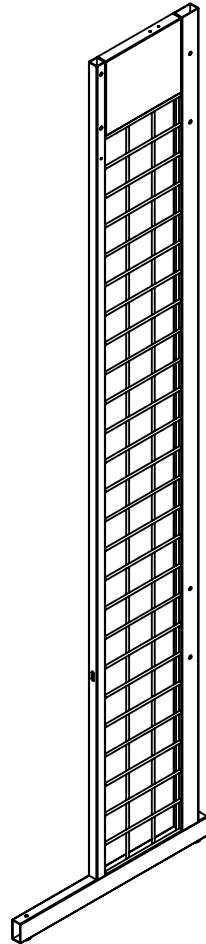
PARTS



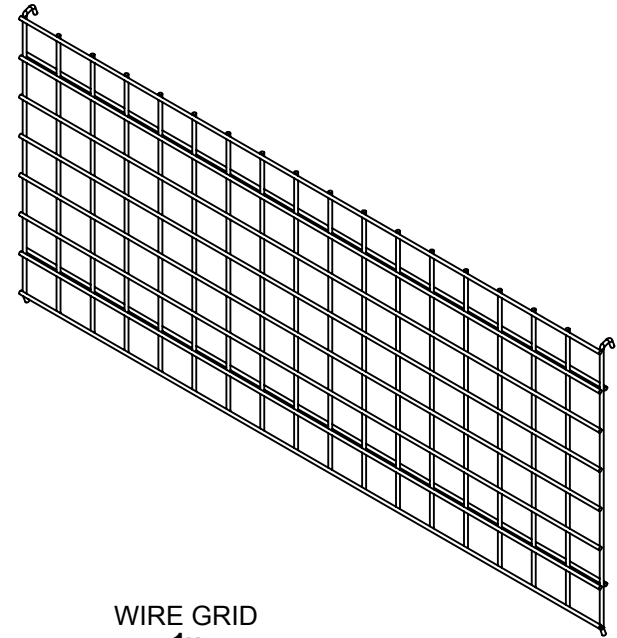
PARTS



LEFT LEG
1x



RIGHT LEG
1x

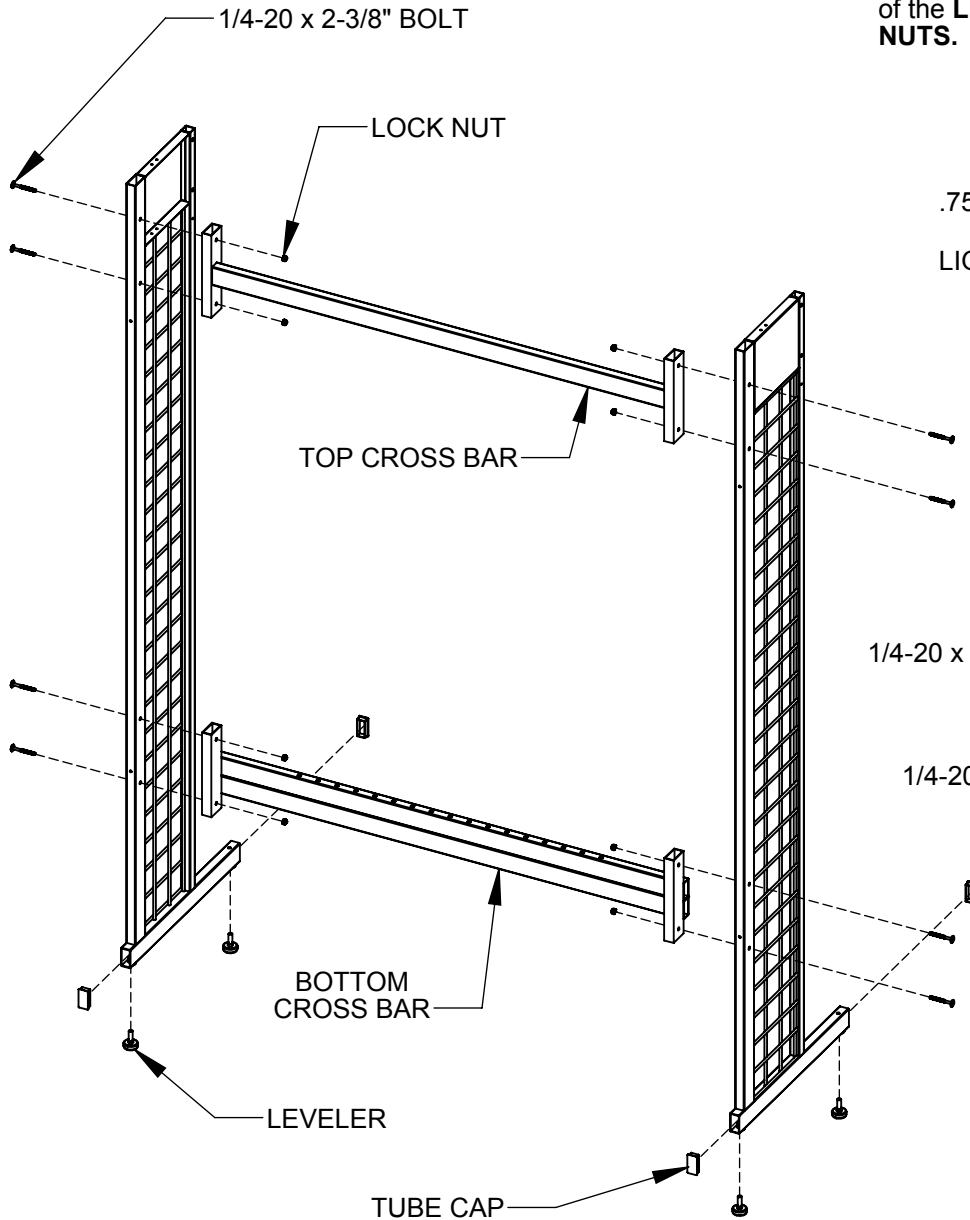


WIRE GRID
1x



STEP 1

Insert (2) **LEVELERS** into both the **RIGHT LEG** and **LEFT LEG**.
Insert (2) **TUBE CAPS** into the bottom of each leg.
Attach the **BOTTOM CROSS BAR** and **TOP CROSS BAR** to each leg using (4) **2-3/8" BOLTS** and (4) **LOCK NUTS** on each.

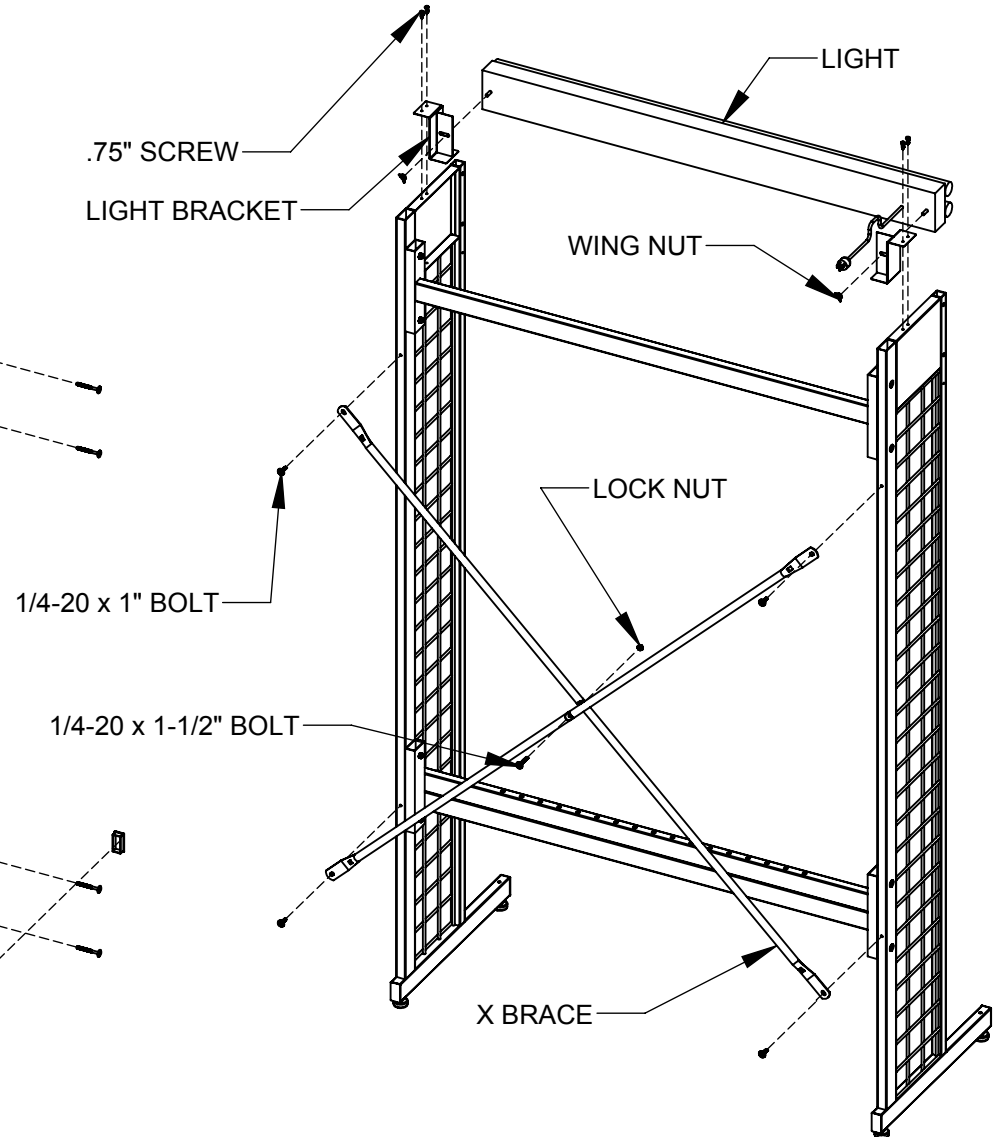


STEP 2

Attach (2) **X BRACES** together using (1) **1-1/2" BOLT** and (1) **LOCK NUT**.
Attach the **X BRACES** to the **RIGHT LEG** and **LEFT LEG** using (4) **1" BOLTS**.

Attach (1) **LIGHT BRACKET** to the top of each **LEG** using (2) **.75" SCREWS** into the pilot holes on the top of each leg.

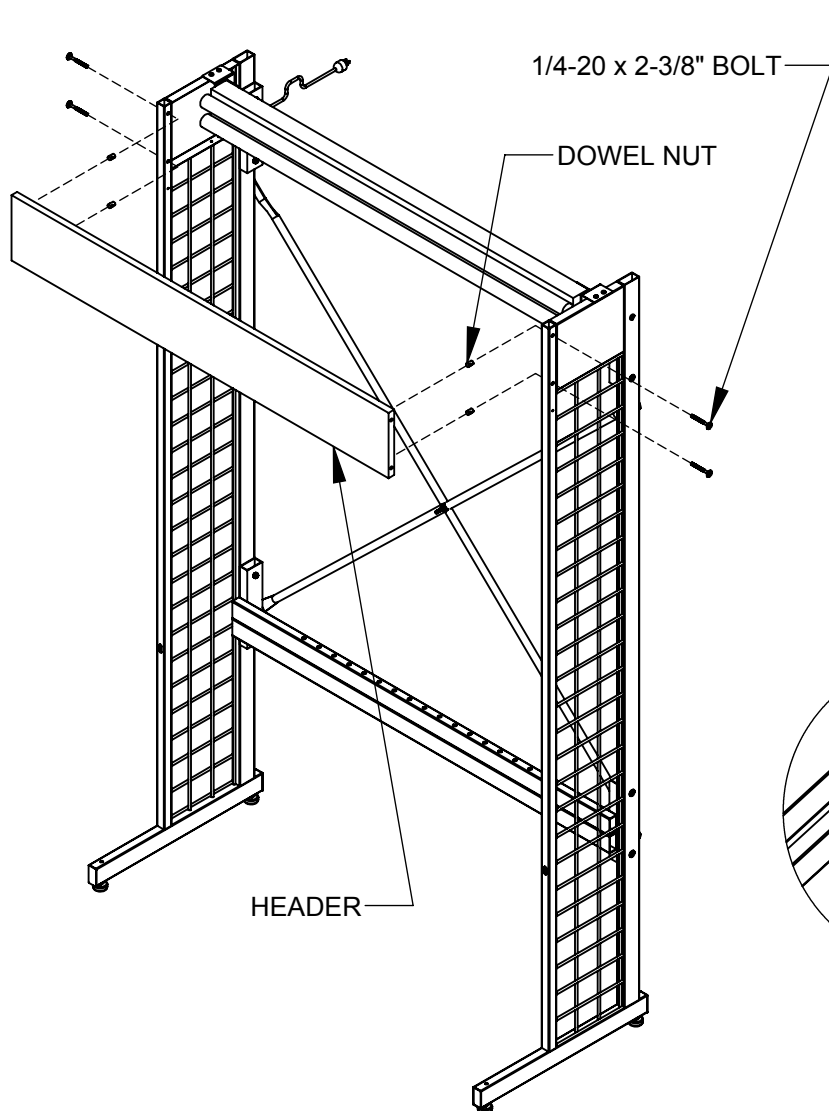
Attach the **LIGHT** to the **LIGHT BRACKETS** by inserting the threaded studs on the back of the **LIGHT** into the slotted holes of the **LIGHT BRACKETS**. Secure using (2) **WING NUTS**.



STEP 3

Insert (4) **DOWEL NUTS** into the back side of the **HEADER**.

Attach the **HEADER** to the **LEFT LEG** and **RIGHT LEG** using (4) **1/4-20 x 2-3/8" BOLTS** through the legs and into the **DOWEL NUTS**.

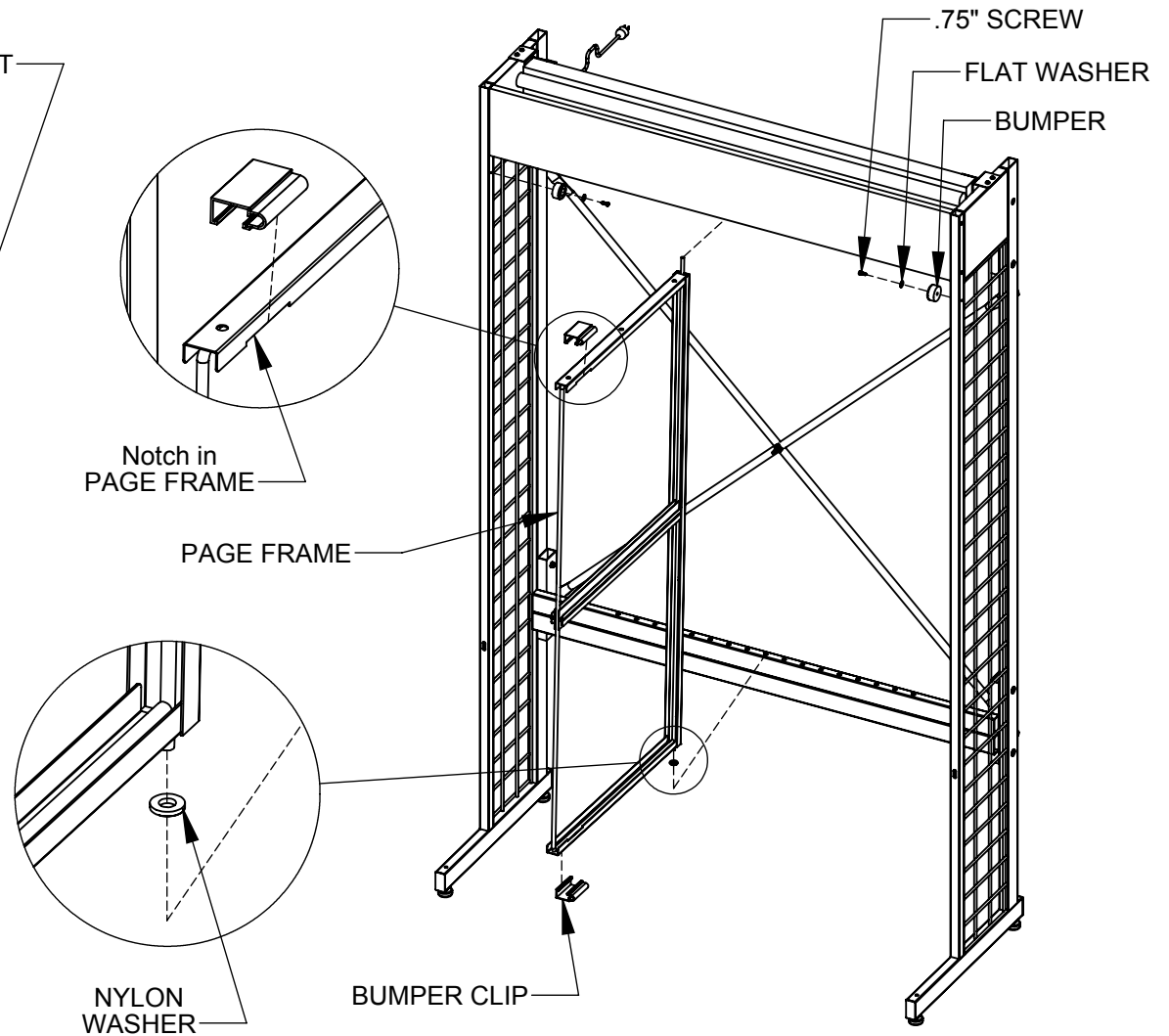


STEP 4

Attach (1) **BUMPER** to each **LEG** using (1) **.75" SCREW** and (1) **FLAT WASHER** into the pilot hole.

Insert (17) **PAGE FRAMES** into the unit by lifting the longer top pin into a hole in the **TOP CROSS BAR** and dropping the bottom pin into the corresponding hole in the **BOTTOM CROSS BAR** through (1) **NYLON WASHER** for each **PAGE FRAME**.

Attach (2) **BUMPER CLIPS** to the top and bottom of each **PAGE FRAME** by hooking the flat back side of the **BUMPER CLIP** to the **PAGE FRAME** first, then pressing the rounded front side into place on the notched part of the **PAGE FRAME**.



STEP 5

Attach the **WIRE GRID** to the **LEFT LEG** and **RIGHT LEG** by inserting the top hooks on the **WIRE GRID** into the slotted holes in each leg. Then insert the bottom pins of the **WIRE GRID** into the corresponding holes in the lower portion of each leg.

Attach the **LIT HOLDER** to the **RIGHT LEG** by hanging it in place as shown.

Insert samples into **PAGE FRAMES** according to **PLAN-O-GRAM**

