

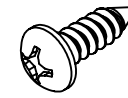
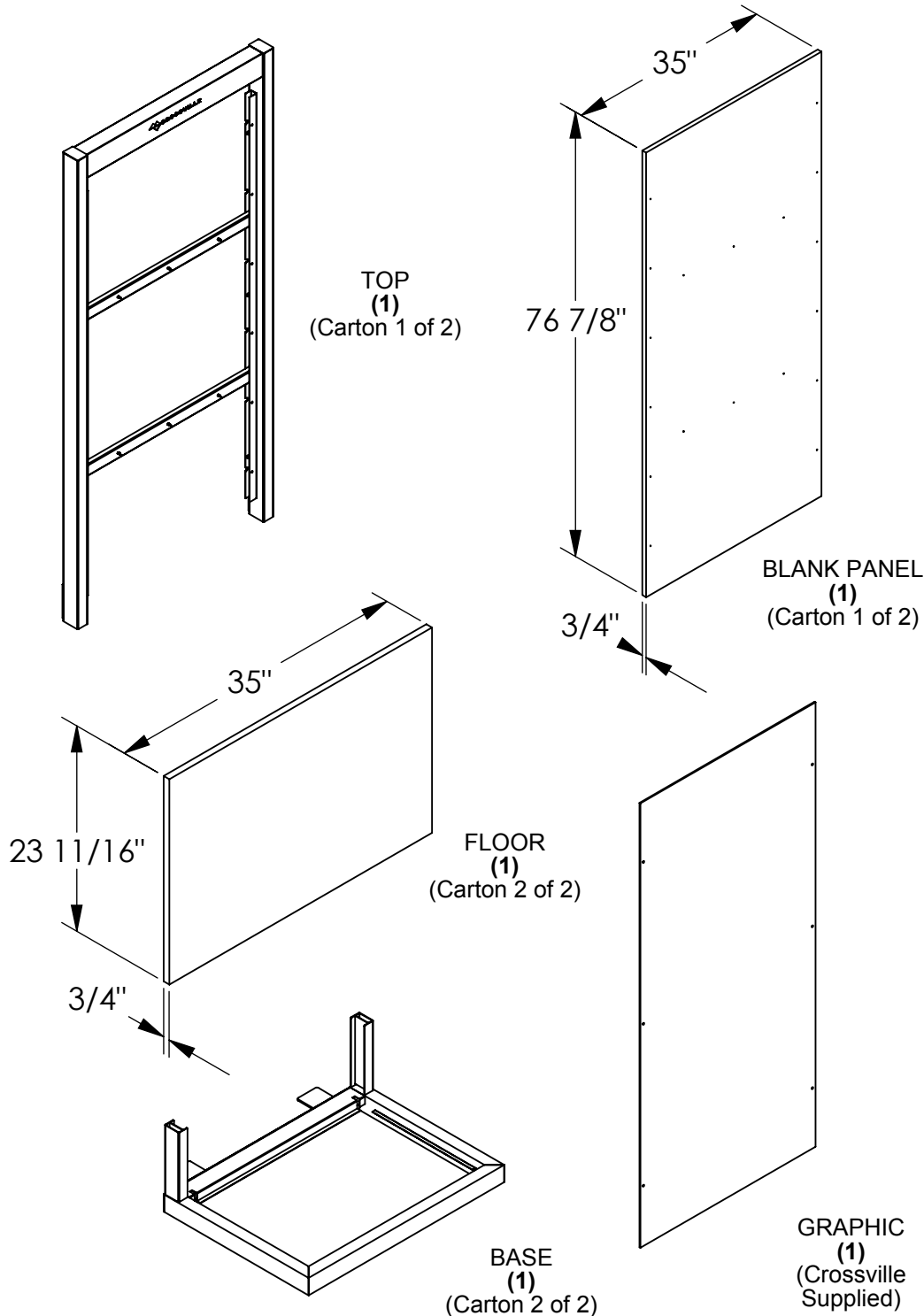
**84" VIGNETTE  
(EL-84VIGNETTE)  
ASSEMBLY INSTRUCTIONS**  
39" W x 84" H x 35" D



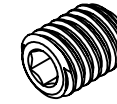
# PARTS

\*Contact Crossville distributor for tile surface and pattern ideas - Tiles not included

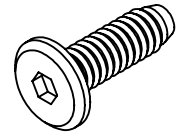
# HARDWARE



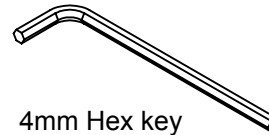
#10 x 5/8" SCREW (18)



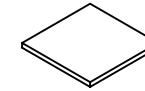
SET SCREW (4)



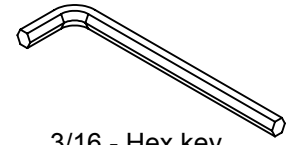
1/4-20 x 7/8" BOLT (4)



4mm Hex key

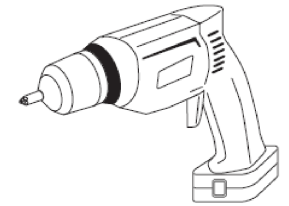


PAD (4)



3/16 - Hex key

## TOOLS & SAFETY



Power Drill with Phillips Bit

Two or more people are recommended for unpacking, assembly, and moving. Failure to do so may result in failing of the unit.

Failure to follow the assembly directions could result in damage or injury.

Install in a level and stable location.

Assemble display in the area it will occupy. Never attempt to move display after loading.



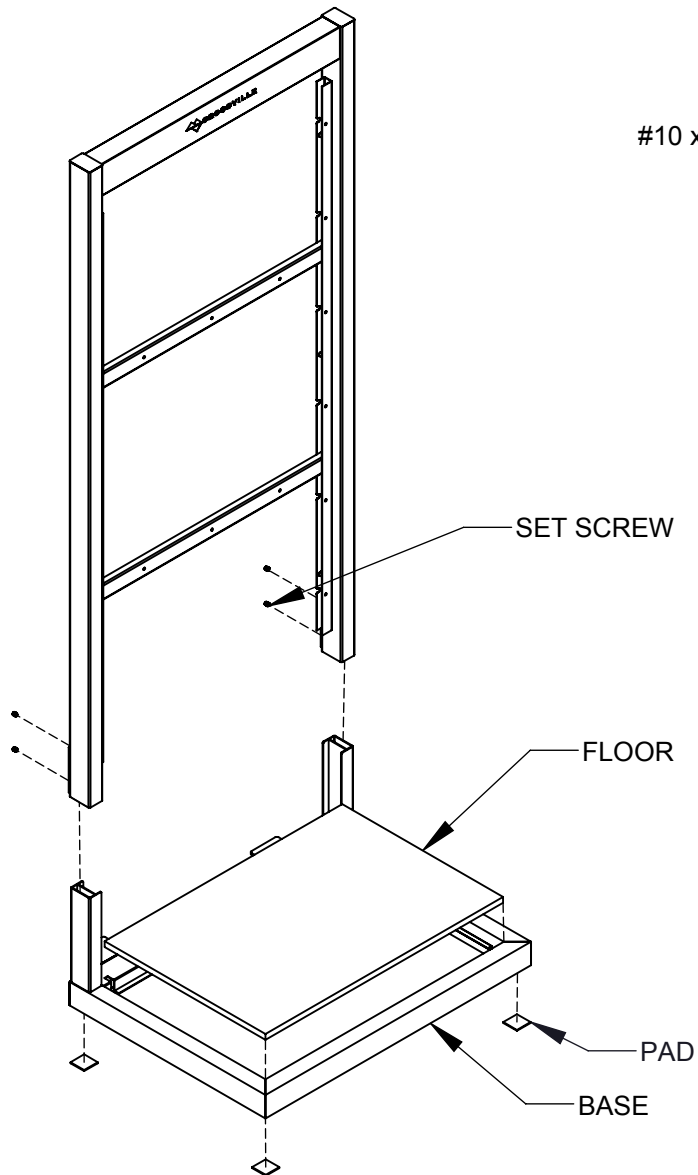
1.888.465.1289  
For customer assistance, ask for CROSSVILLE representative.

PAGE 2 of 5

# STEP 1

Remove the adhesive backing from (4) **PADS** and apply to the bottom corners of the **BASE**. Attach the **TOP** section to the **BASE** section using (4) **SET SCREWS**. Make sure the **CROSSVILLE LOGO** faces forward.

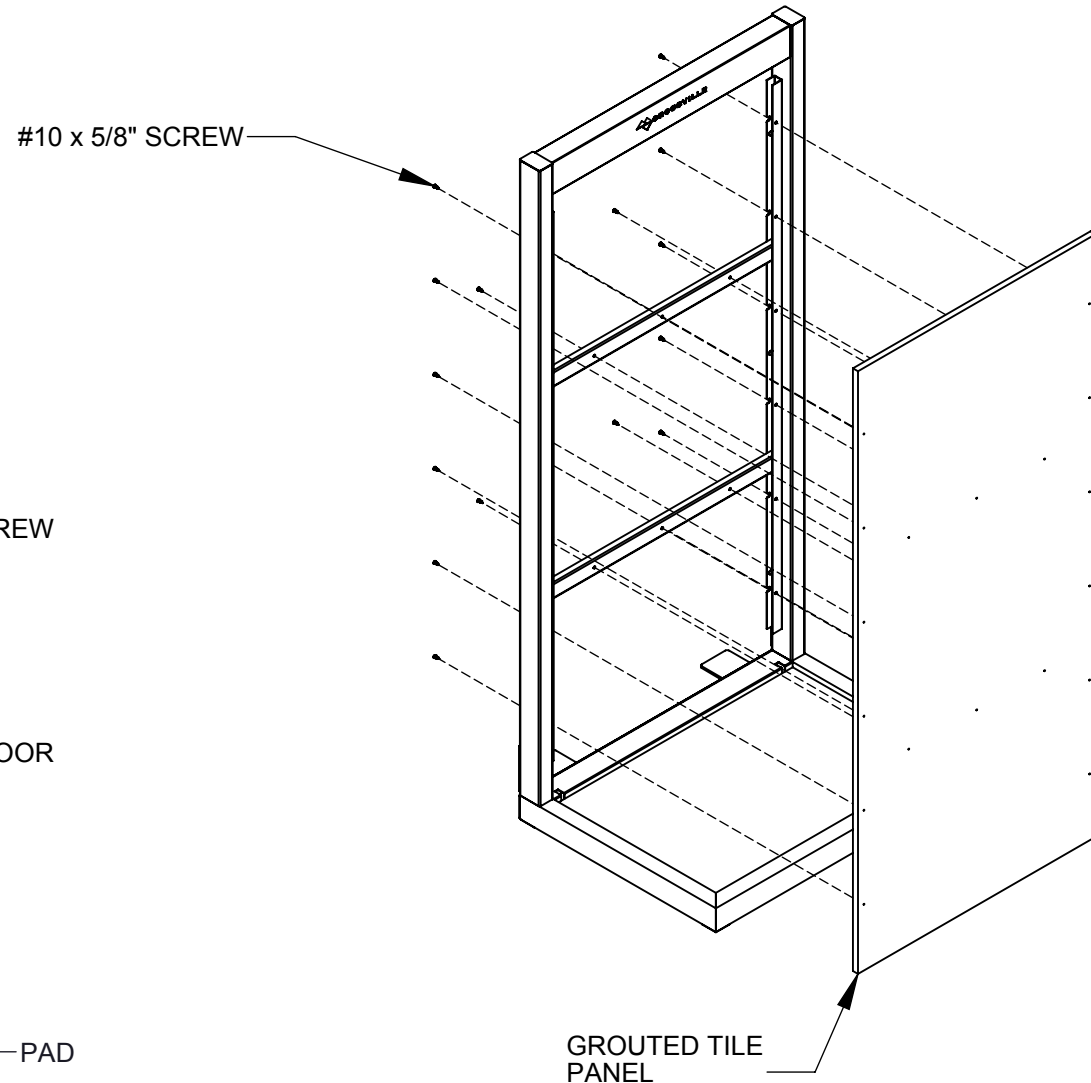
Insert the **FLOOR** into the **BASE** section.



# STEP 2

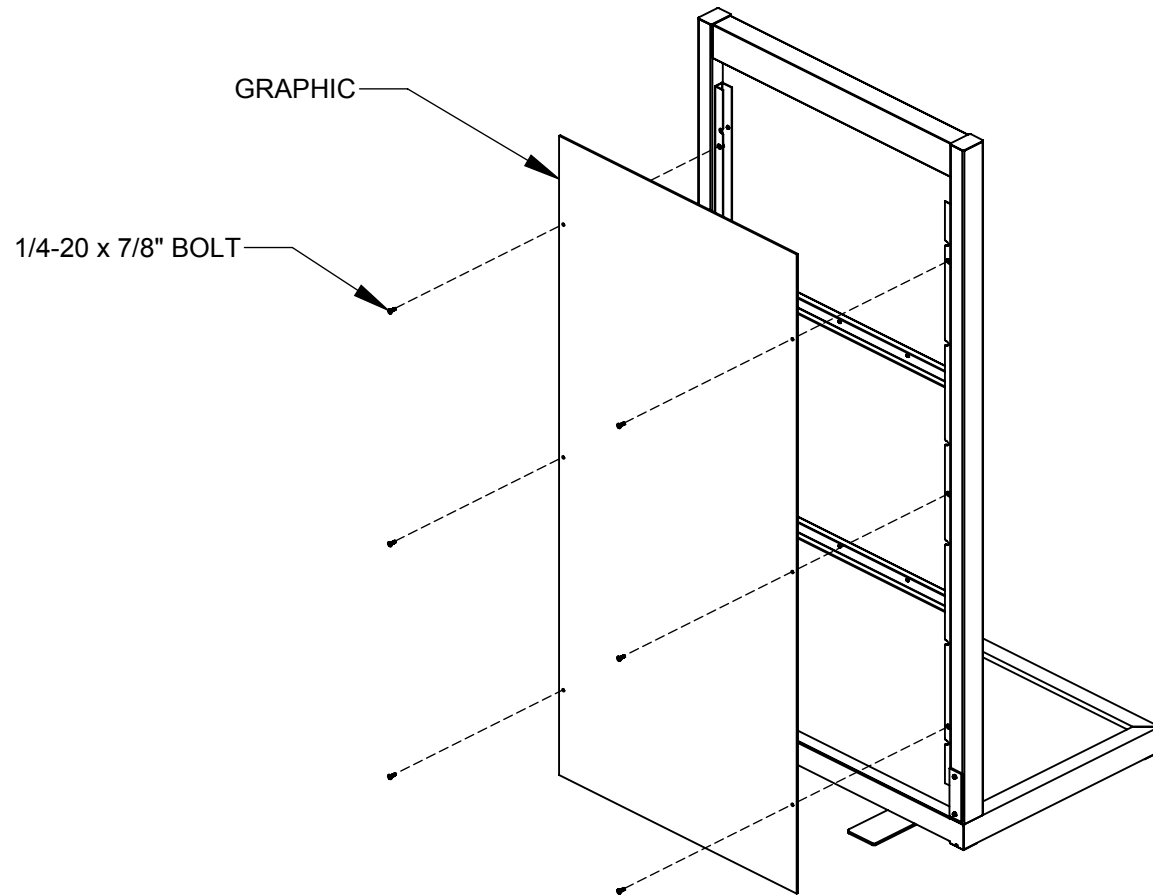
Attach the **GROUTED TILE PANEL** to the **TOP** section using (18) **#10 x 5/8" SCREWS** into the pilot holes in the back of the **GROUTED TILE PANEL**.

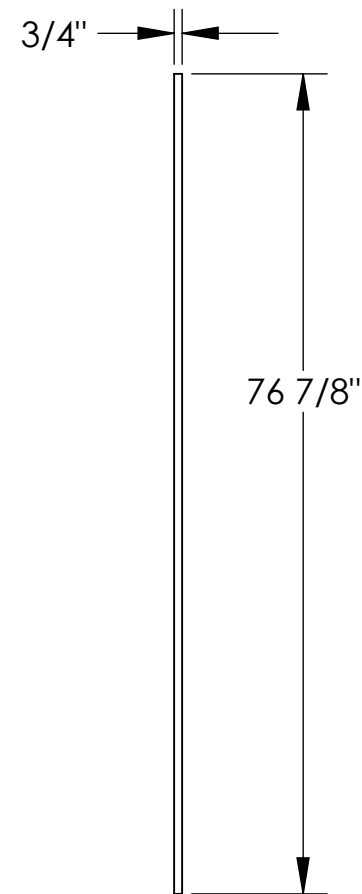
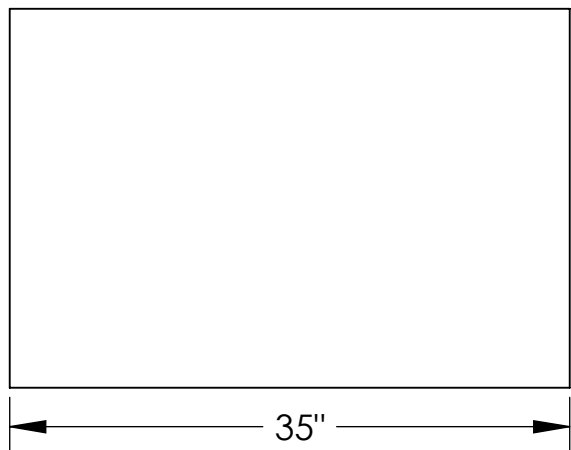
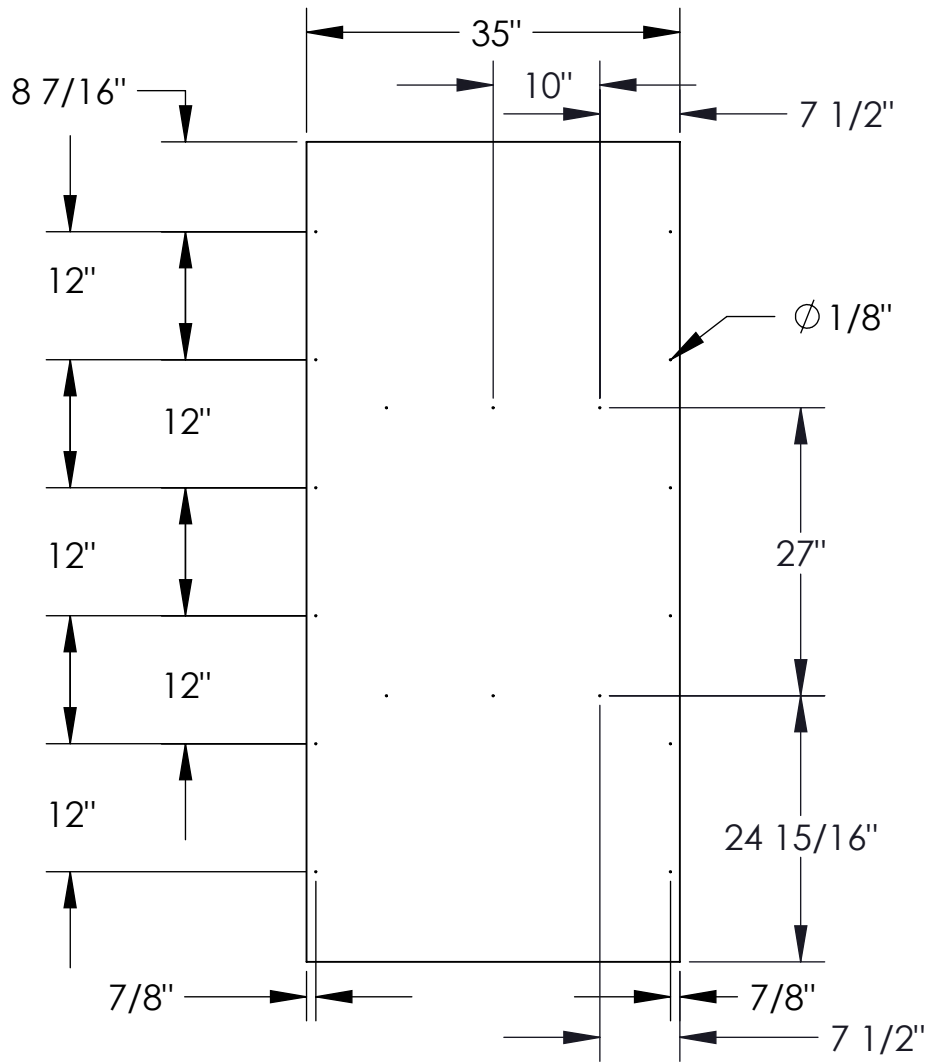
**NOTE:** Lay tile and grout on **BLANK PANEL** before attaching to display frame. **BLANK PANEL** provided for mounting tile of choice.



# STEP 3

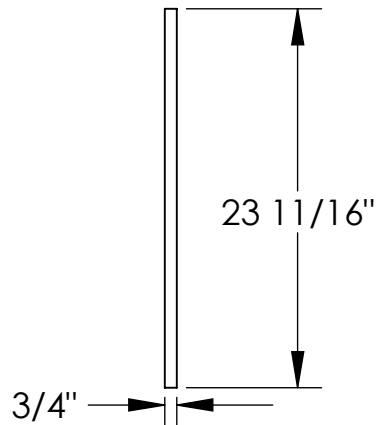
Attach the **GRAPHIC** to the back of the **TOP** section using **(6) 1/4-20 x 7/8" BOLTS**.





BACK BOARD:  
 3/4" Particle Board  
 35" x 76-7/8"

BOTTOM BOARD:  
 3/4" Particle Board  
 35" x 23-11/16"



**RETAIN ON FILE FOR FUTURE USE**

**84" Vignette**