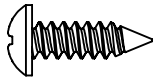


**BINDER TOWER
(EL-BINDERTOWER)**
ASSEMBLY INSTRUCTIONS
22" W x 84" H x 17" D

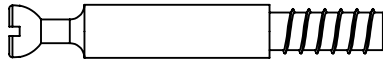


HARDWARE

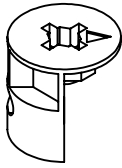
(Carton 2 of 2)



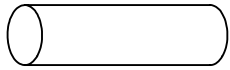
#10 x 5/8" SCREW
(20)



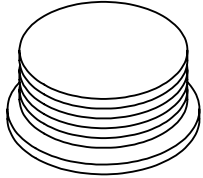
CONNECTOR PIN
(38)



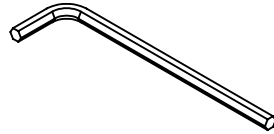
CAM
(38)



DOWEL PIN
(20)

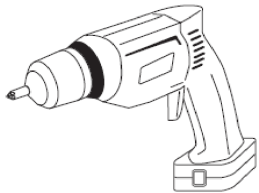


TUBE CAP
(4)



4mm Hex Key

TOOLS & SAFETY



Power drill
with Phillips bit

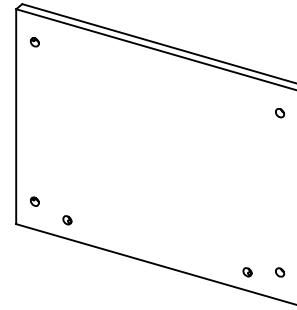
Two or more people are recommended for unpacking, assembly, and moving. Failure to do so may result in failing of the unit.

Failure to follow the assembly directions could result in damage or injury.

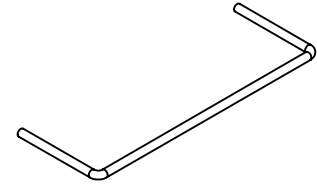
Install in a level and stable location.

Assemble display in the area it will occupy. Never attempt to move display after loading.

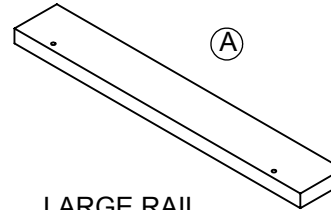
PARTS



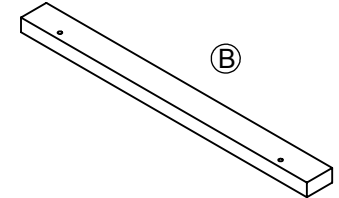
SHELF
(3)
(Carton 2 of 2)



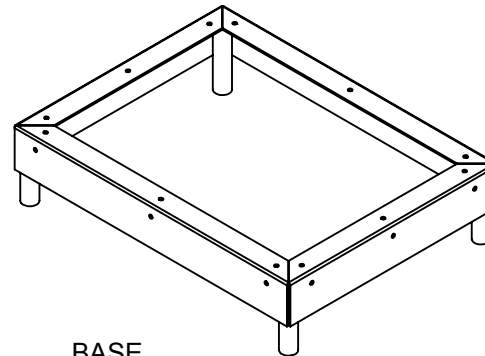
WIRE RAIL
(16)
(Carton 2 of 2)



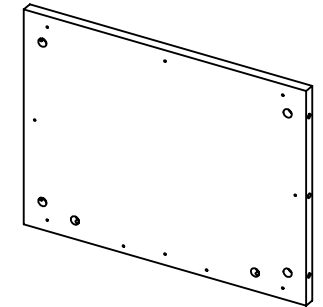
LARGE RAIL
(2)
(Carton 2 of 2)



SMALL RAIL
(3)
(Carton 2 of 2)



BASE
(1)
(Carton 2 of 2)

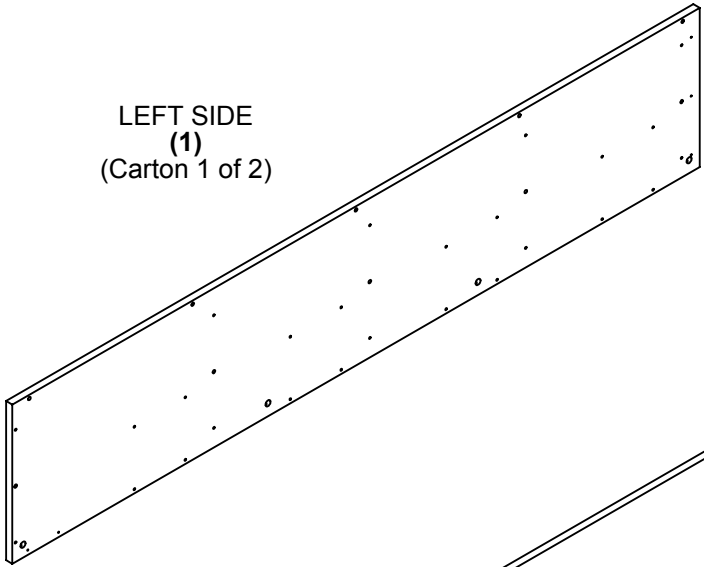


BOTTOM SHELF
(2)
(Carton 2 of 2)

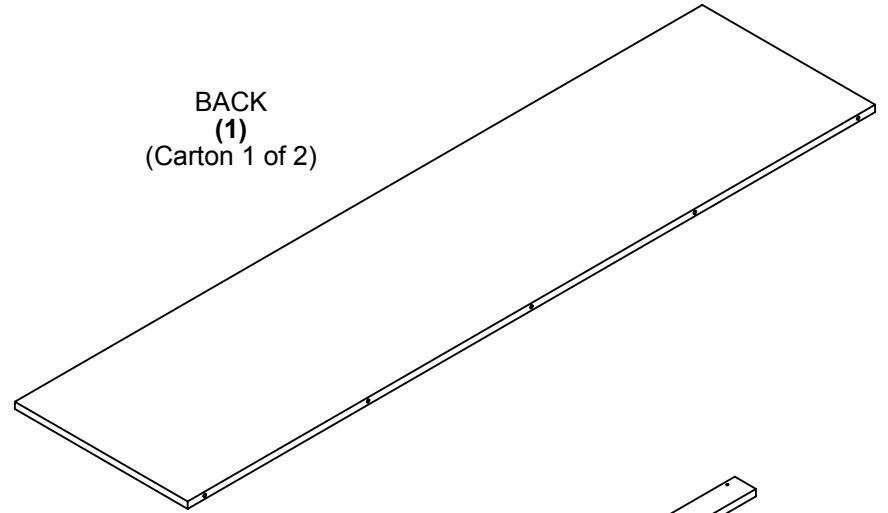


PARTS

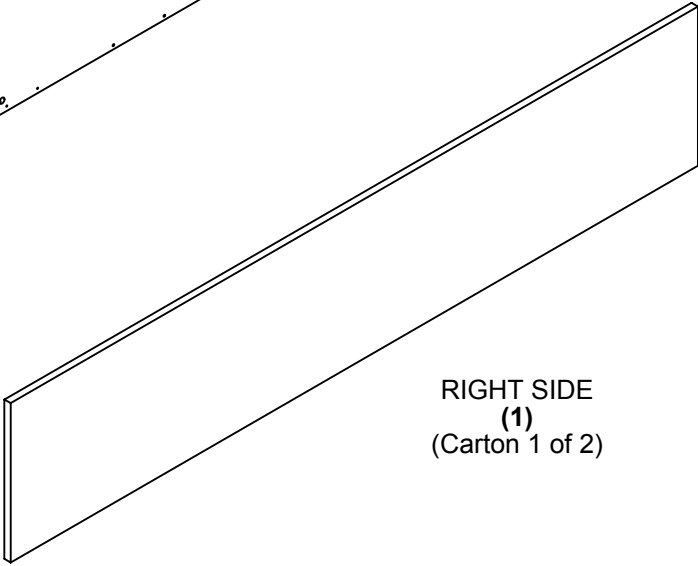
LEFT SIDE
(1)
(Carton 1 of 2)



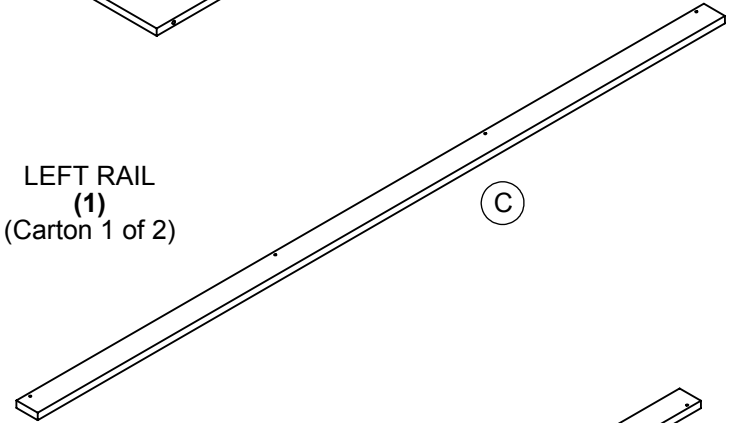
BACK
(1)
(Carton 1 of 2)



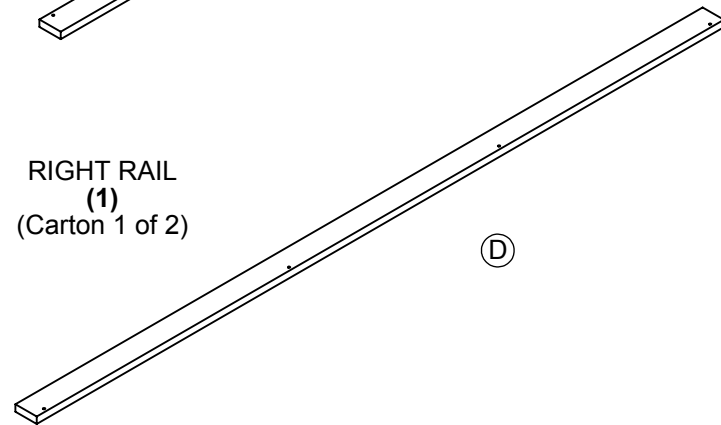
RIGHT SIDE
(1)
(Carton 1 of 2)



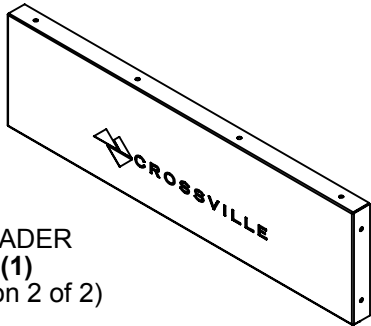
LEFT RAIL
(1)
(Carton 1 of 2)



RIGHT RAIL
(1)
(Carton 1 of 2)



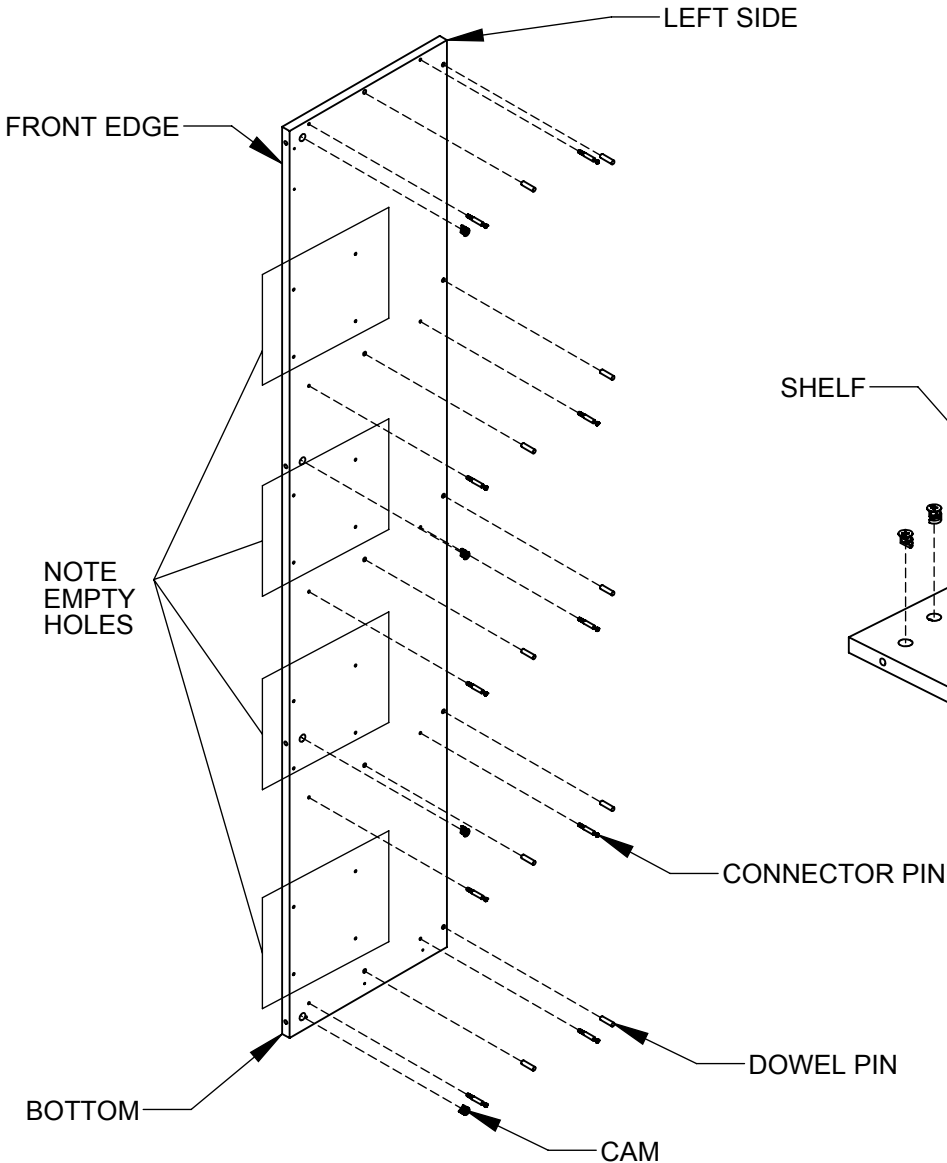
HEADER
(1)
(Carton 2 of 2)



STEP 1

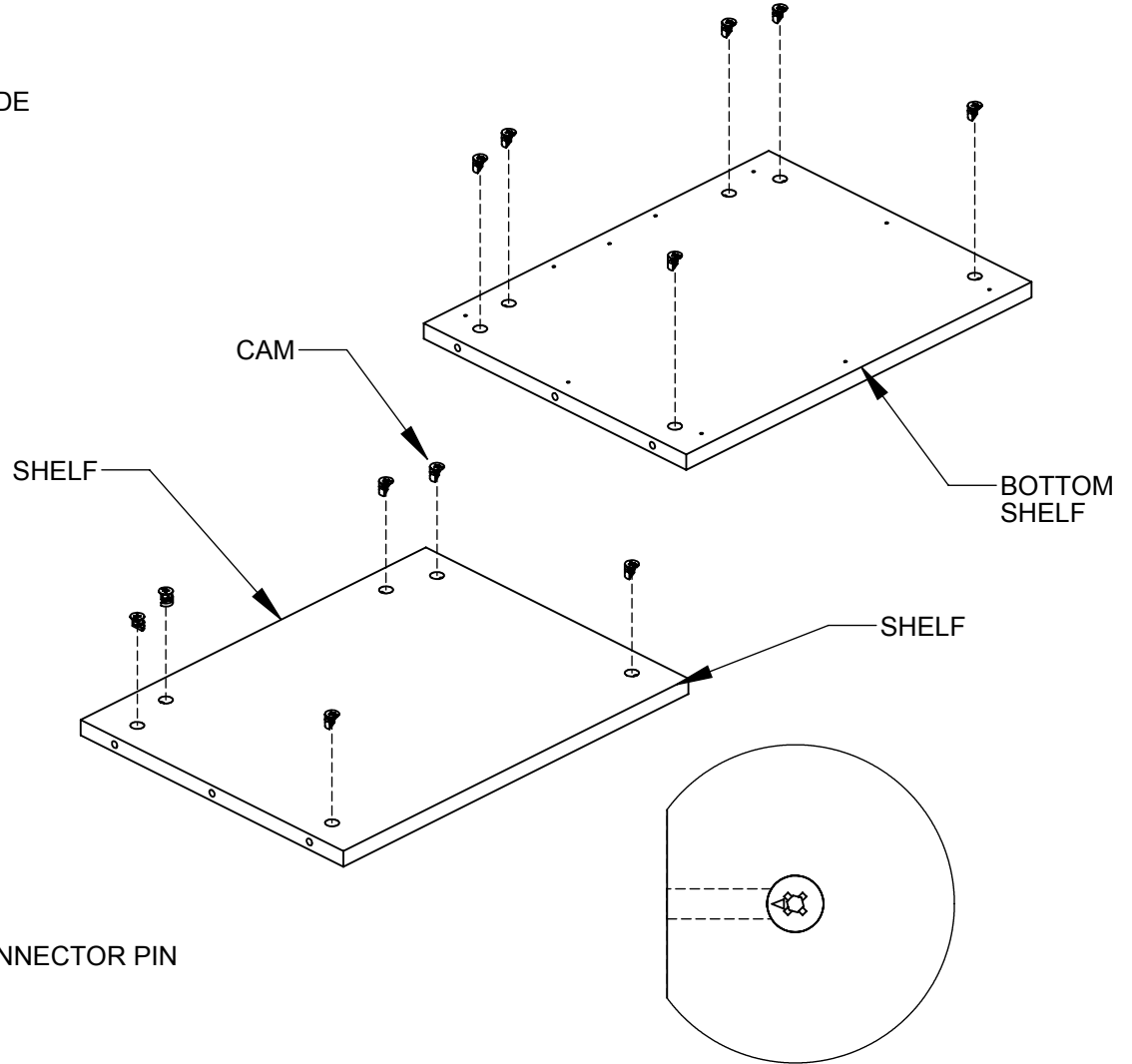
Insert (4) CAMS into the LEFT SIDE panel.
Insert (10) DOWEL PINS into the LEFT SIDE panel.
Insert (10) CONNECTOR PINS into the LEFT SIDE panel.

Repeat STEP 1 for the RIGHT SIDE panel.
RIGHT SIDE panel is a mirror of LEFT SIDE panel



STEP 2

Insert (6) CAMS into (3) SHELF panels and (2) BOTTOM SHELF panels each.



NOTE: When Inserting CAMS, make sure to align the arrow on the cam with the corresponding edge hole.



STEP 3

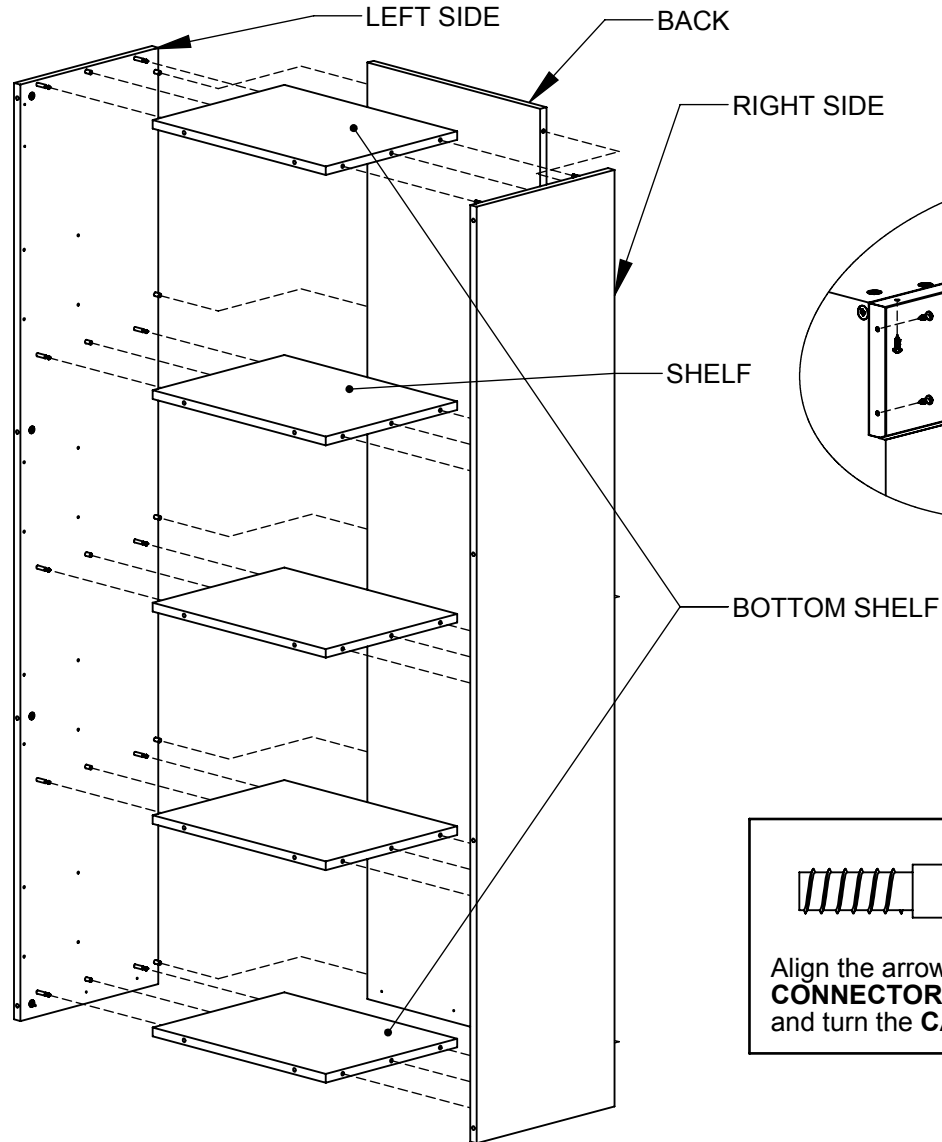
NOTE: Assemble unit lying on its back

Attach the **BACK** panel to the **LEFT SIDE** panel by aligning all **DOWEL PINS** and inserting.

Attach **(3) SHELF** panels and **(2) BOTTOM SHELF** panels to the **LEFT SIDE** panel by aligning all **DOWEL PINS** and **CONNECTOR PINS** and inserting. Tighten the **CAMS** to secure.

Attach the **RIGHT SIDE** panel to the **BACK** panel and all **SHELVES** in the same manor.

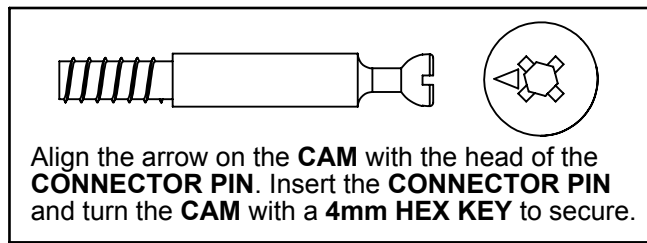
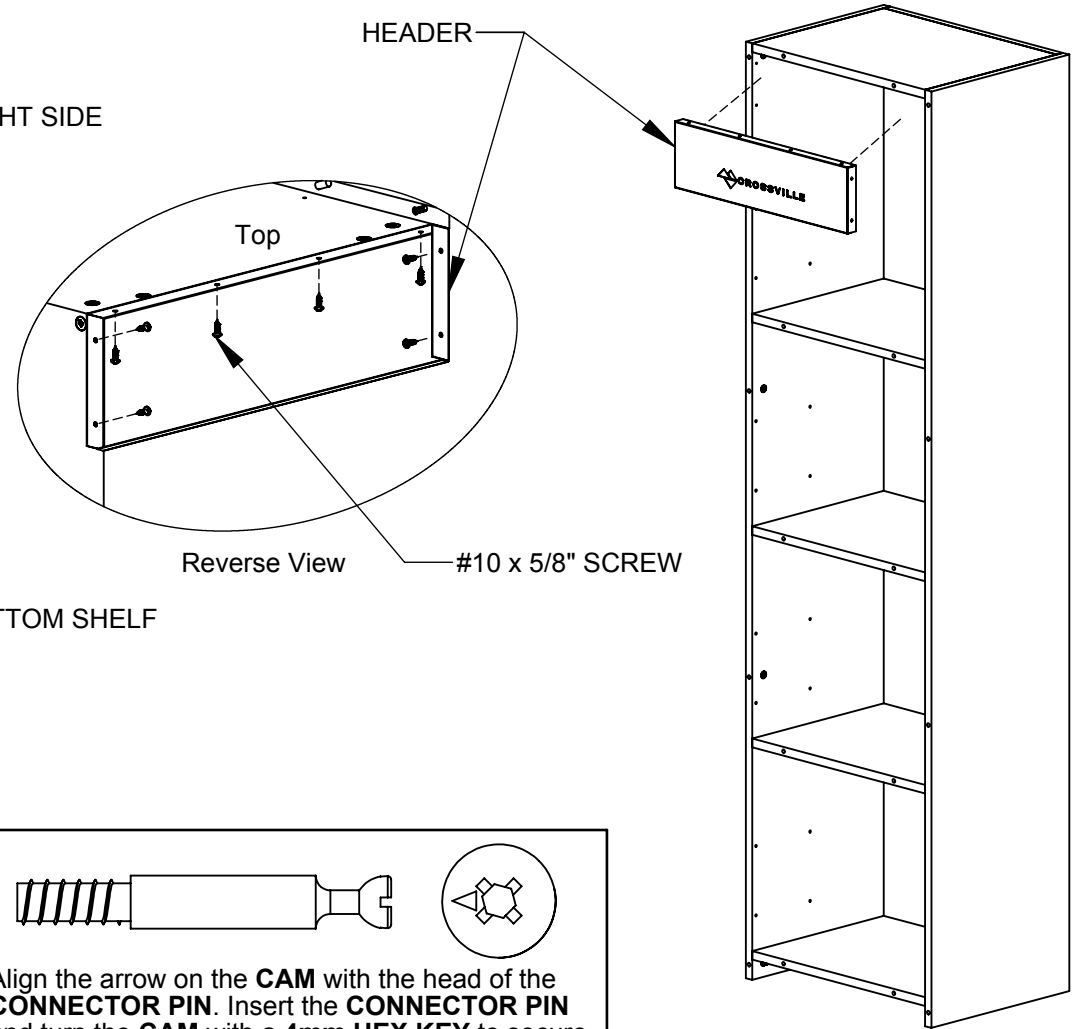
Tighten **CAMS** to secure.



STEP 4

Stand the unit up.

Attach the **HEADER** to the pilot holes in the top **BOTTOM SHELF**, **LEFT SIDE** and **RIGHT SIDE** panels using **(8) #10 x 5/8" SCREWS**.

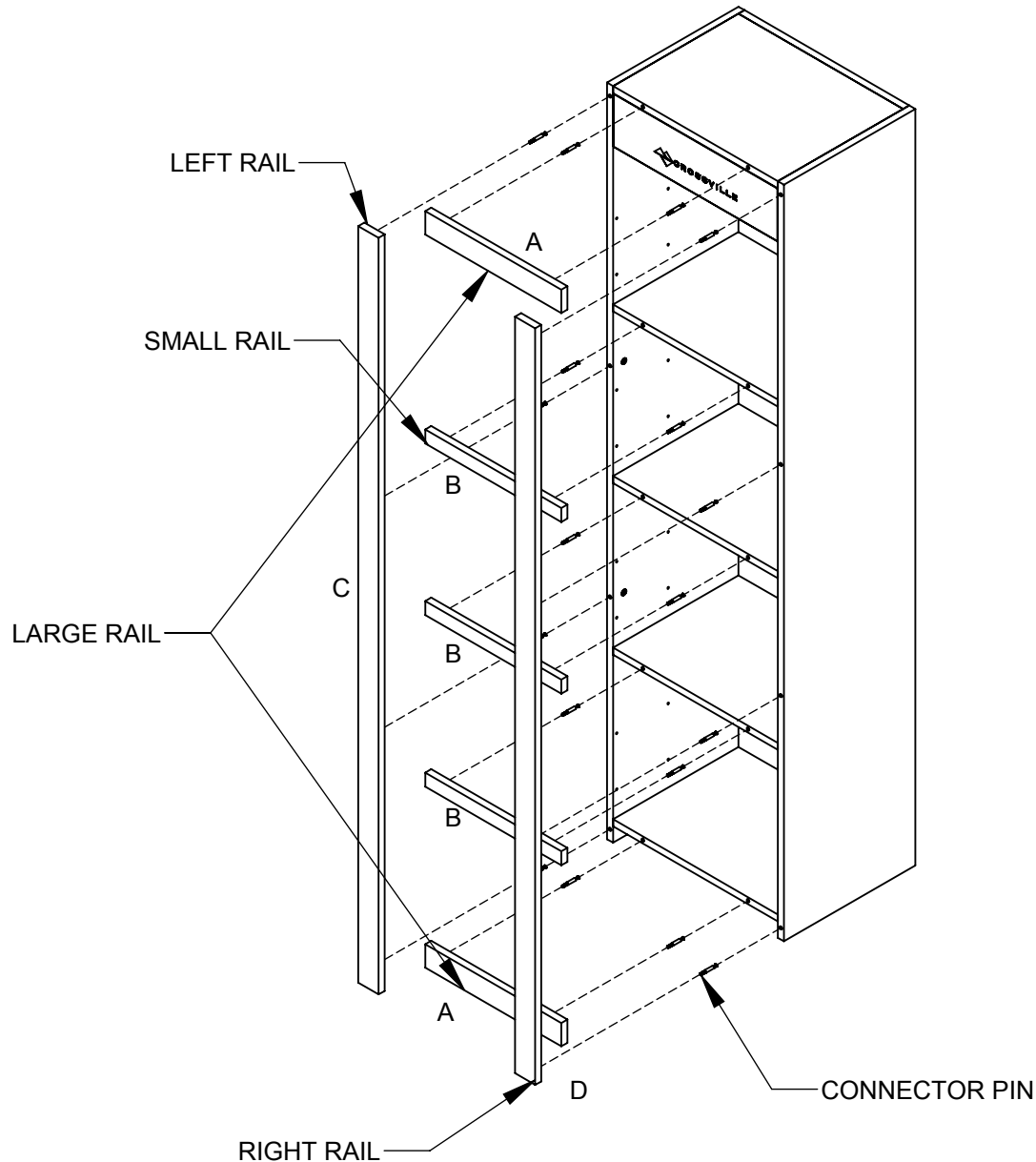


STEP 5

Insert (4) **CONNECTOR PINS** into both the **LEFT RAIL** and **RIGHT RAIL**.
Insert (2) **CONNECTOR PINS** into (3) **SMALL RAILS** and (2) **LARGE RAILS** each.

Attach the **LEFT RAIL** to the front **LEFT SIDE**. Attach the **RIGHT RAIL** to the front **RIGHT SIDE**. Attach (1) **LARGE RAIL** to the front of the top **SHELF**, and (1) **LARGE RAIL** to the front of the bottom **SHELF**. Attach (3) **SMALL RAILS** to the front of the remaining **SHELF** panels.

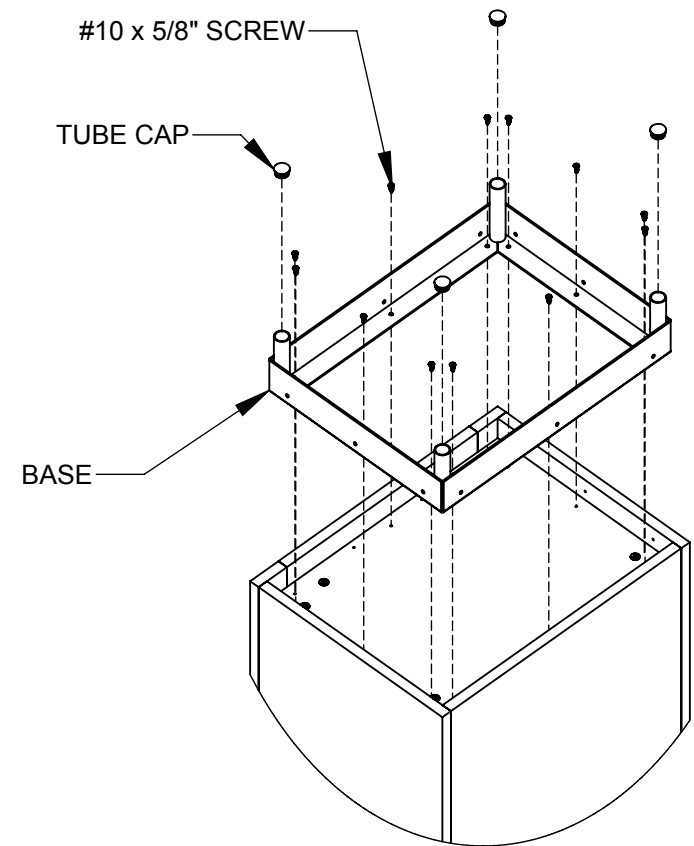
Tighten **CAMS** to secure.



STEP 6

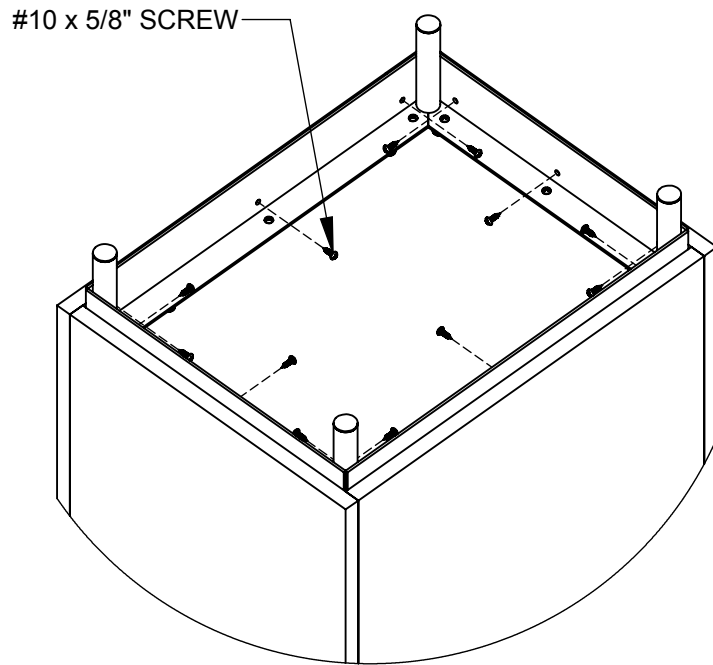
Insert (4) **TUBE CAPS** into the bottom of the **BASE**.

On the bottom of the unit, attach the **BASE** to the unit using (12) **#10 x 5/8" SCREWS**.



STEP 7

Secure the **BASE** to the sides of the unit using **(12) #10 x 5/8" SCREWS**.



STEP 8

Attach **(16) WIRE RAILS** to the inside of the unit by pressing them into the corresponding holes.

