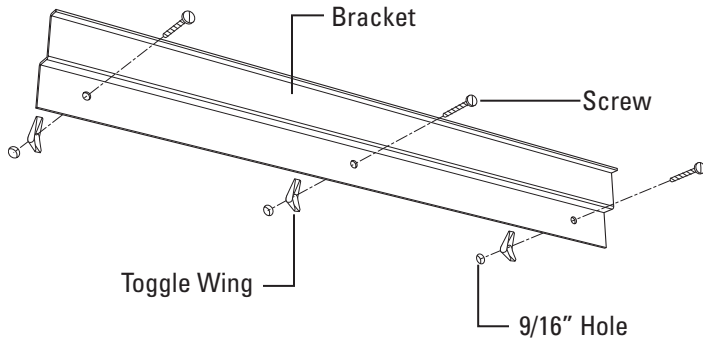


Installation Instructions for New PSS Display (EL-PSSRACK)

Begin by installing the bracket to the wall using one of the two methods shown below depending on what type of wall you have.

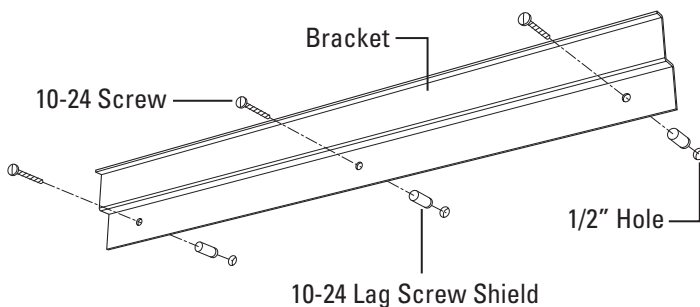
1) Drywall installation



Please note: You will need three toggle bolts (which are not provided) to mount the bracket to drywall.

Locate bracket on wall making sure it is level. Mark each of the holes. Drill a 9/16" hole into each of the three marked areas. Remove toggle wings from screws. Insert screws through holes in bracket. Now replace toggle wings, making sure they are properly positioned. Pinch wings together and press through holes on the wall. Tighten all screws. Bracket should now rest snugly against the wall. See illustration.

2) Concrete installation



Please note: You will need three 10-24 lag screw shields and four 10-24 screws (which are not provided) to mount bracket to concrete.

Locate bracket on wall making sure it is level. Mark each of the holes. Drill a 1/2" hole into each of the three marked areas. Pound a shield into each hole. Now place bracket on wall making sure holes are aligned. Using three 10-24 screws, secure bracket to wall. See illustration.

3) After bracket is installed on wall, hang display as shown in illustration. Please make sure the wire on the back sits on the inside bracket channel as shown.

